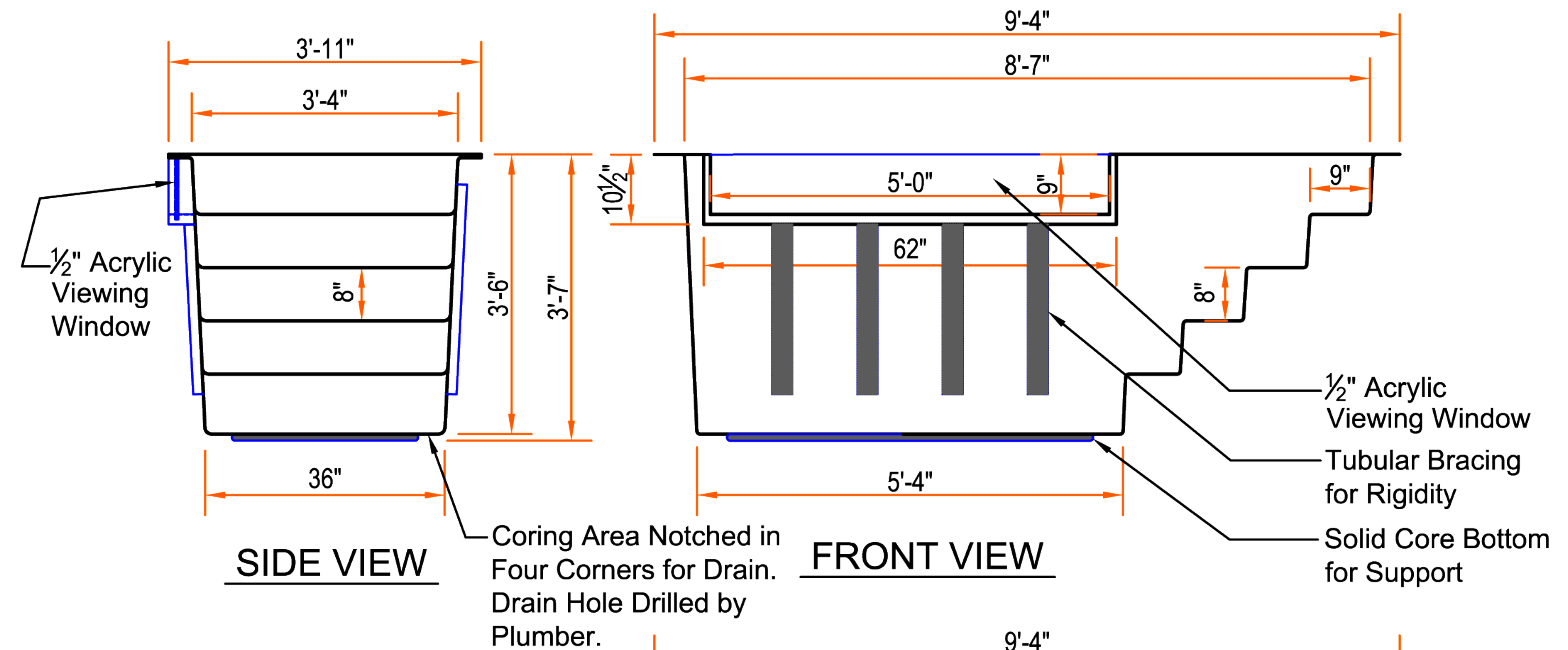
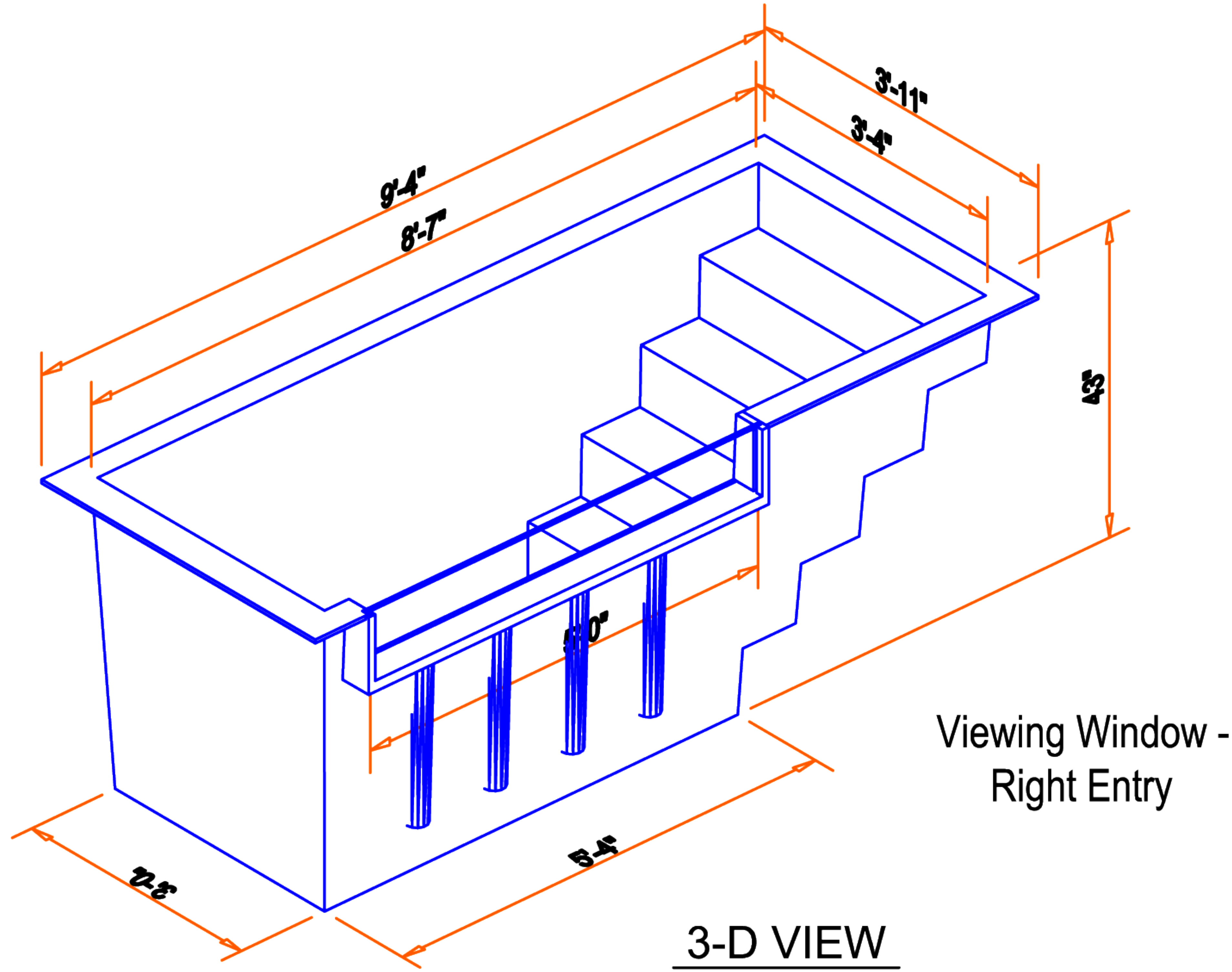


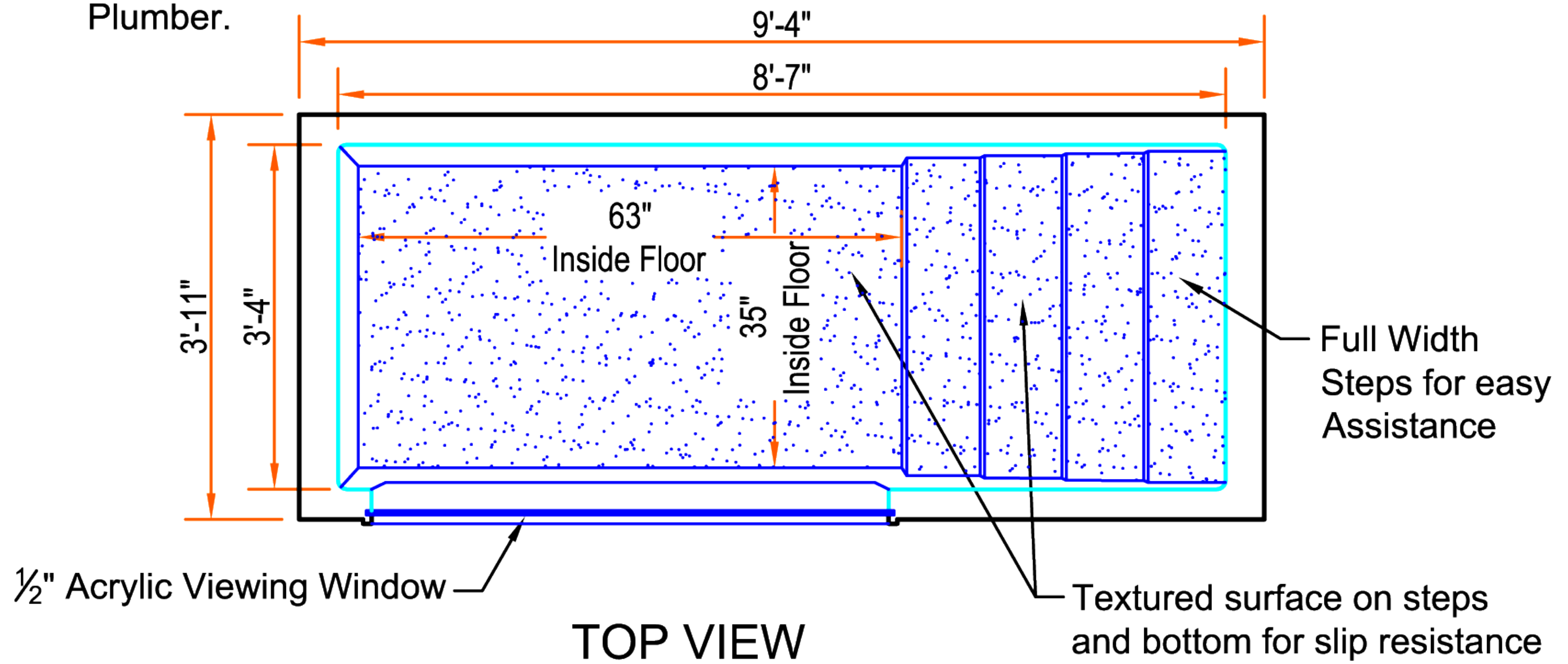
**Baptistry Info.**

Width: 3'-11"  
 Length: 9'-4"  
 Depth: 43"  
 Water Capacity: 475 gal.  
 Unit Weight: 240 lb. Dry  
 Recommended Heater:  
 PEB-B 5.5 kw / Af 2900 / AD 2900  
 Available In Blue, White or Bone

**Note:**  
 All interior corners are rounded for safety.



Drains can be Located in Either of the Four Corners



Dimensions may change slightly to accommodate manufacturing.